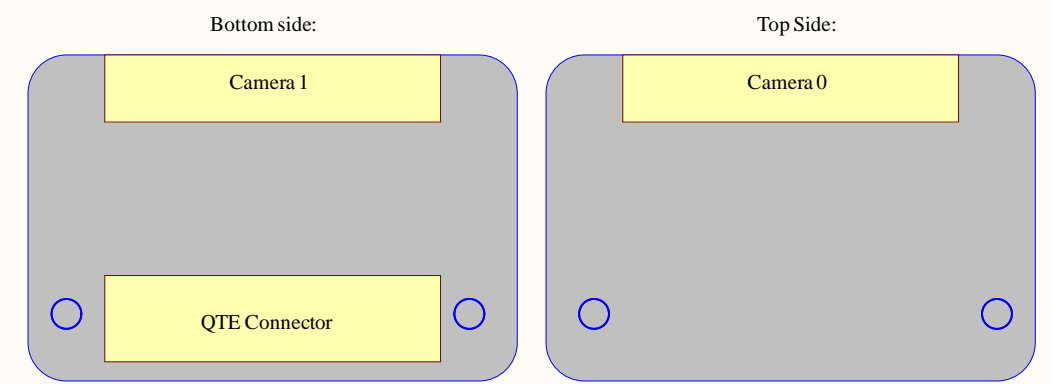
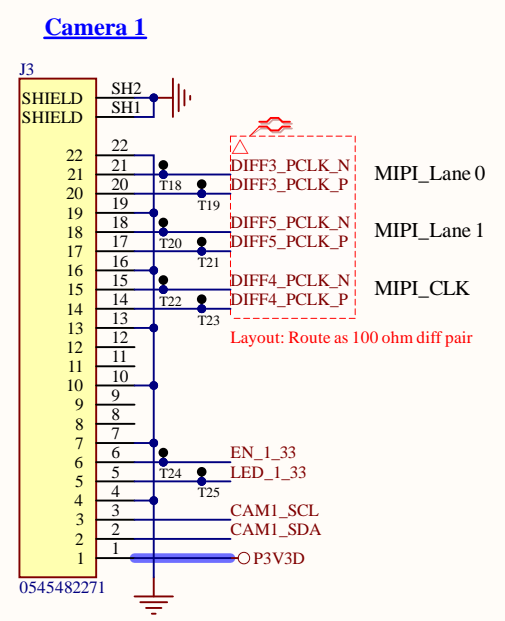
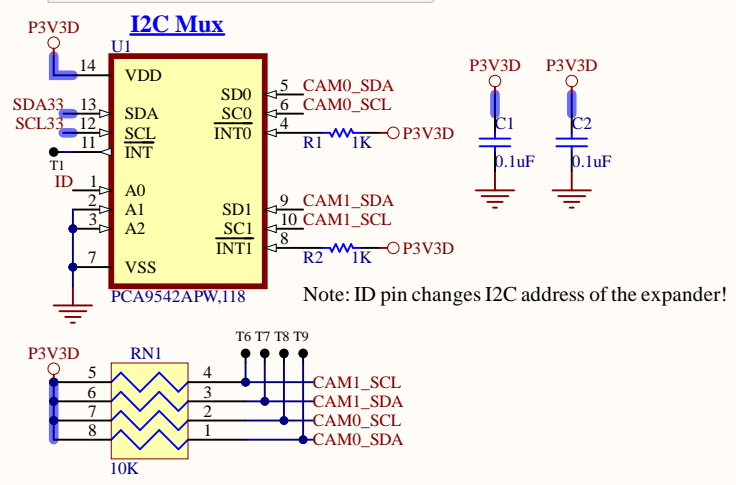


Layout Note: MIPI test points are exposed solder mask on vias
 Layout Note: Place all TP's on Top side.

Note:
 The 2 cameras may have the same I2C address. A Mux ensures that we can address each camera separately.



Title		
Size	Number	Revision
B		
Date:	2/13/2024	Sheet of
File:	E:\@@@@\Darial\...rpi_adapter_2x4L...Doc	1 of 1