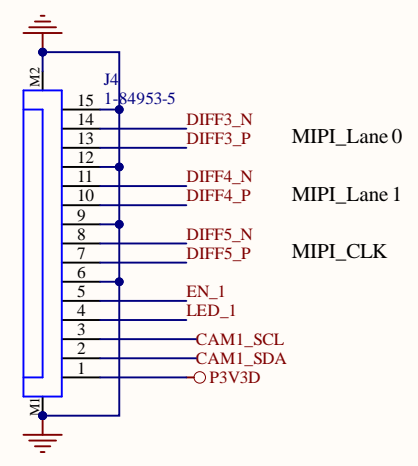


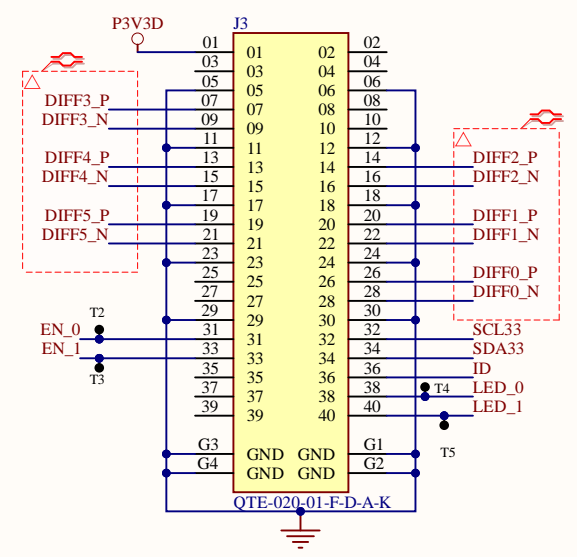
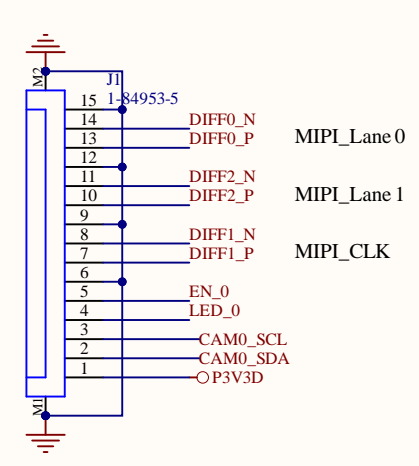
A

A

Camera 1

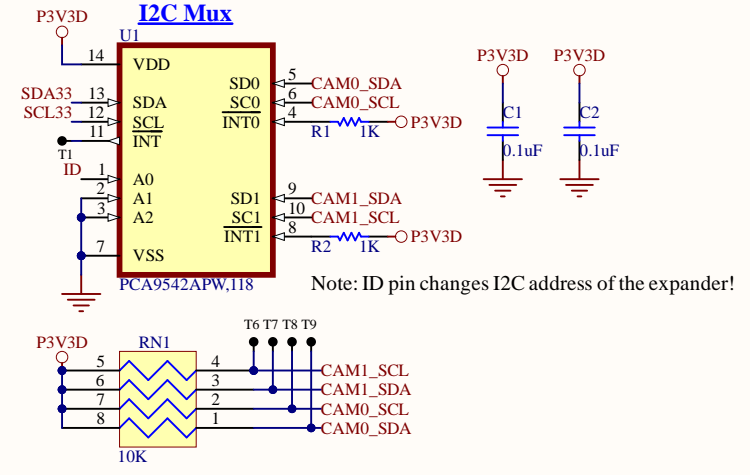


Camera 0

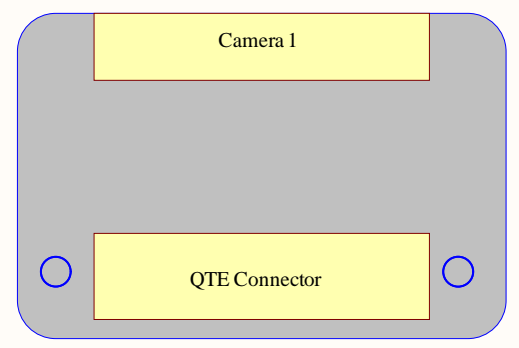


Note:
The 2 cameras may have the same I2C address. A Mux ensures that we can address each camera separately.

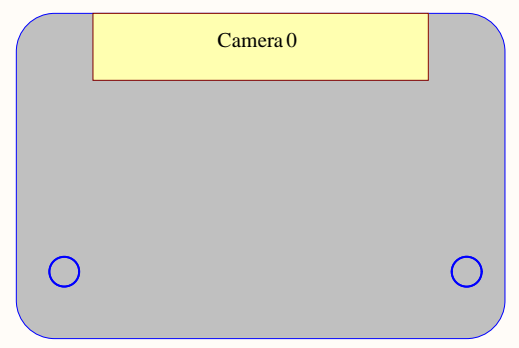
I2C Mux



Bottom side:



Top Side:



B

B

C

C

D

D

Title		
Size	Number	Revision
B		
Date:	7/04/2024	Sheet of
File:	rpi_adapter_2x4L_sink.SchDoc	Drawn By: