

tinyvision.ai



tinyDualRPi
adapter Rev2

3.3V

J1

D0

D2

D1

D4

D5

D3

SDA0

SDA1

T5

EN1

T4

T9

T8

SCL0

SCL1

T6

T1

T3

T2

EN0



J4

RN1

C2

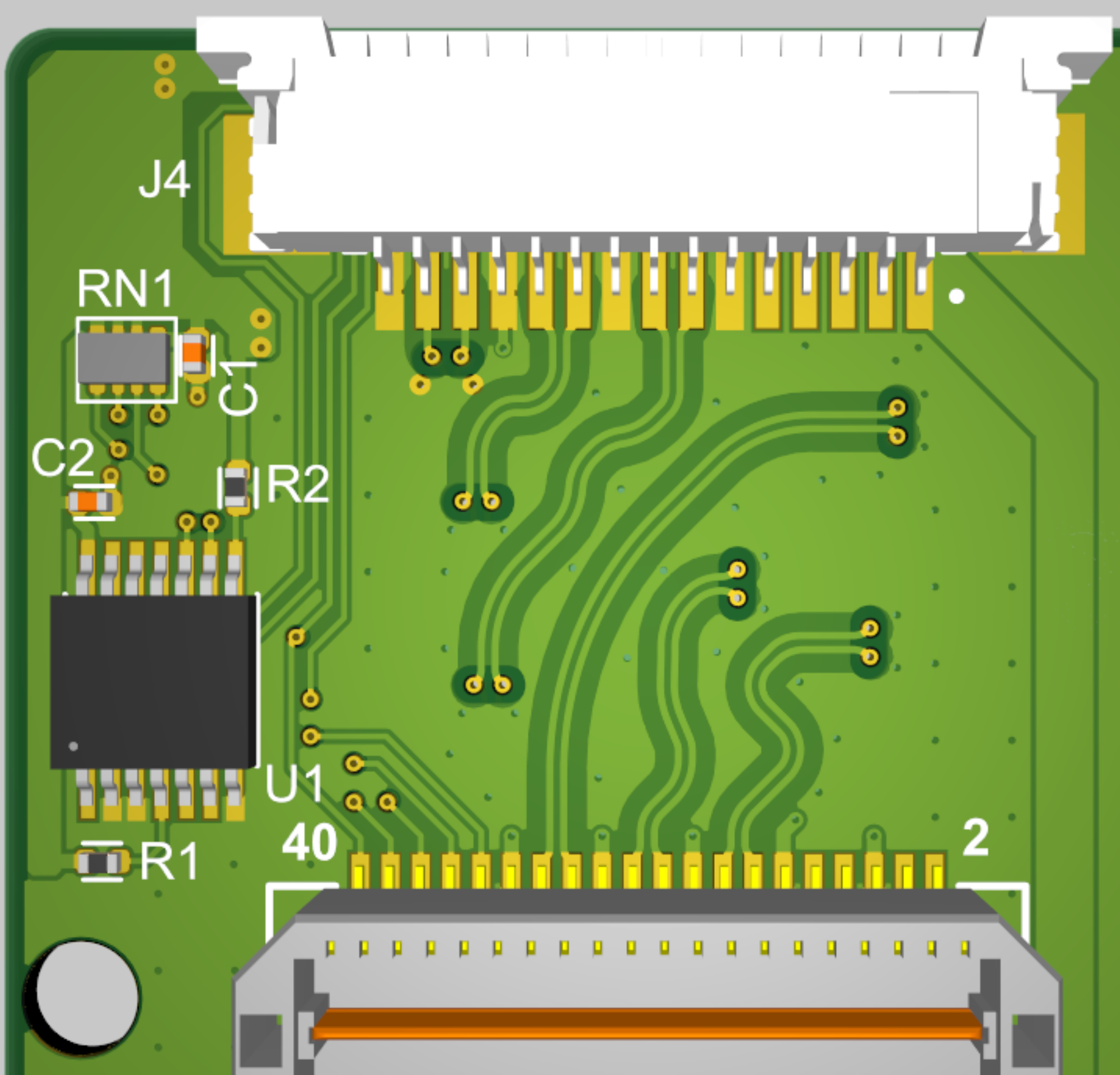
R2

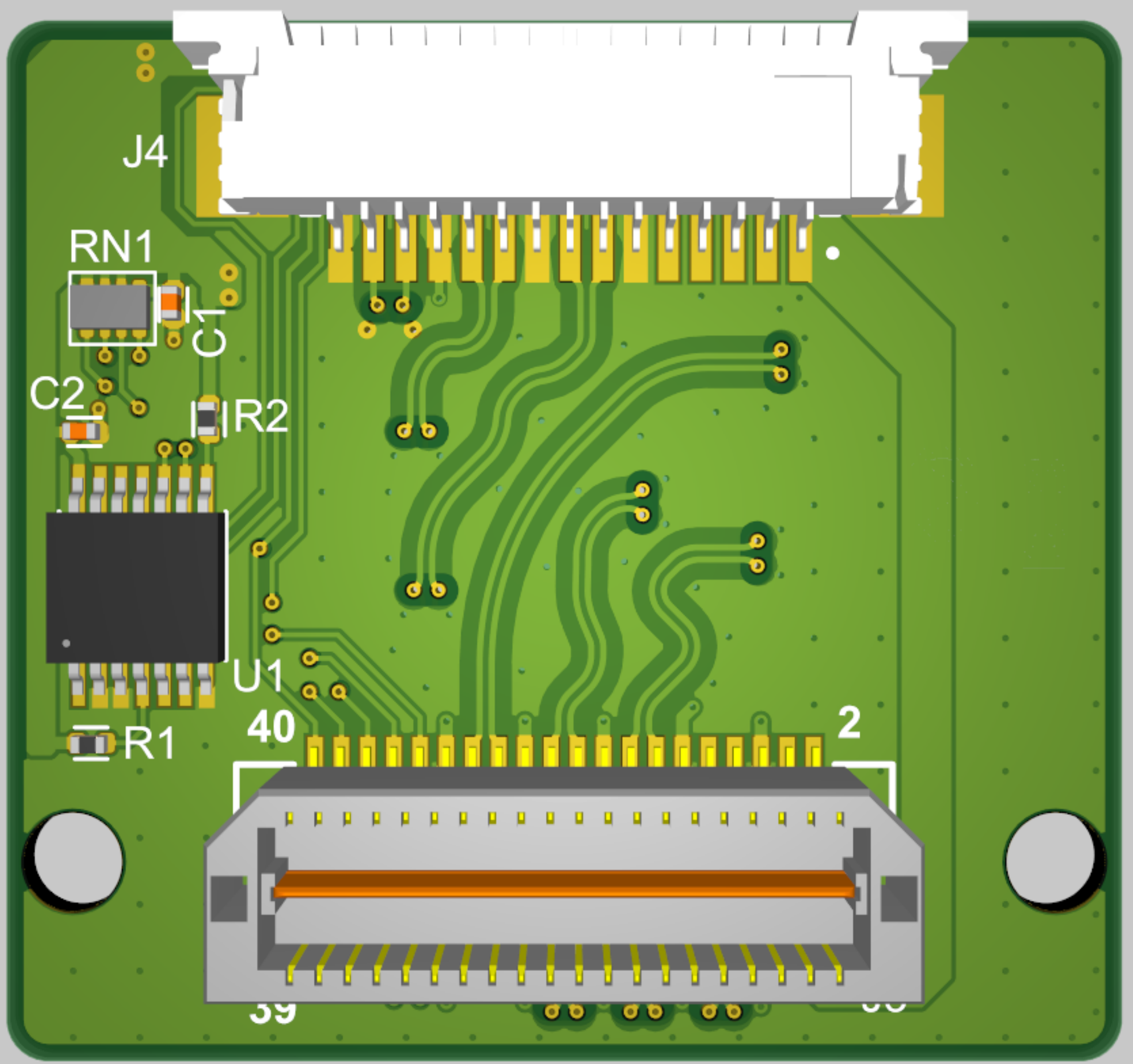
U1

40

R1

2





J4

RN1

C1

C2

R2

U1

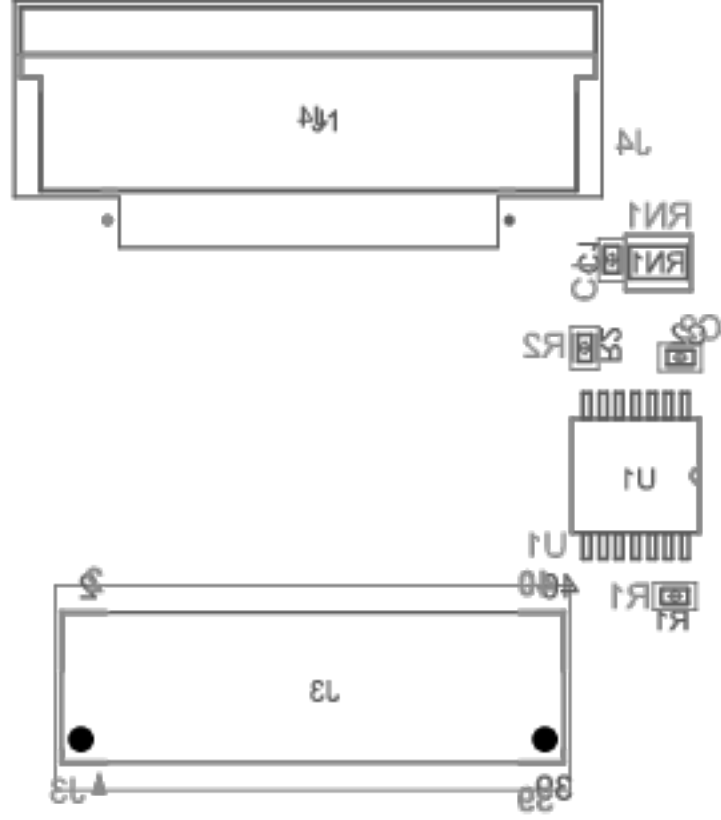
R1

40

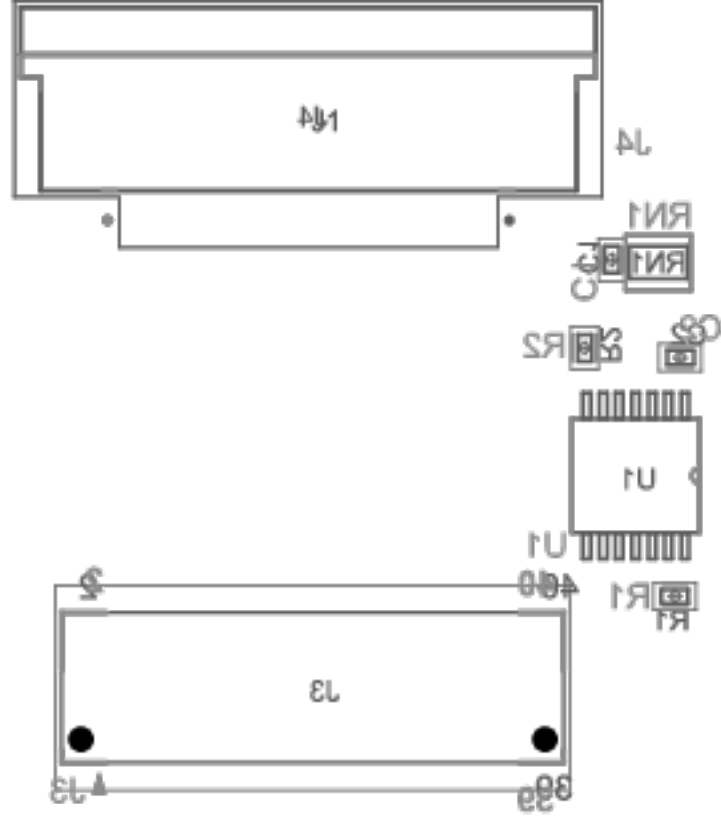
2

59

BOTTOM SILKSCREEN



BOTTOM SILKSCREEN



BOTTOM SILKSCREEN ASSEMBLY

