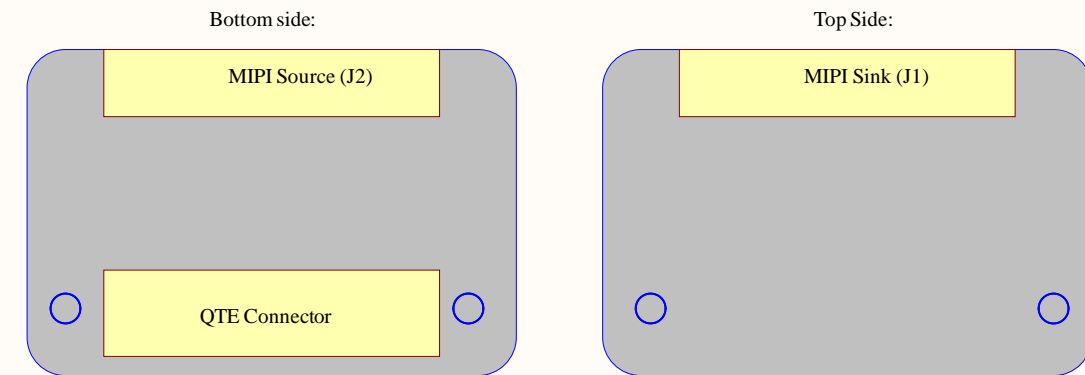
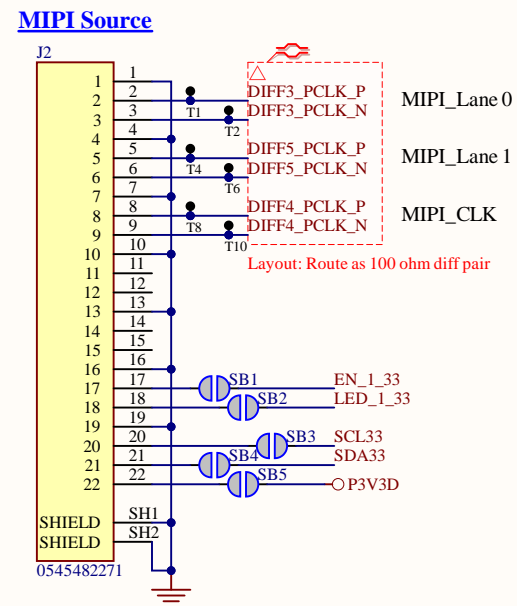
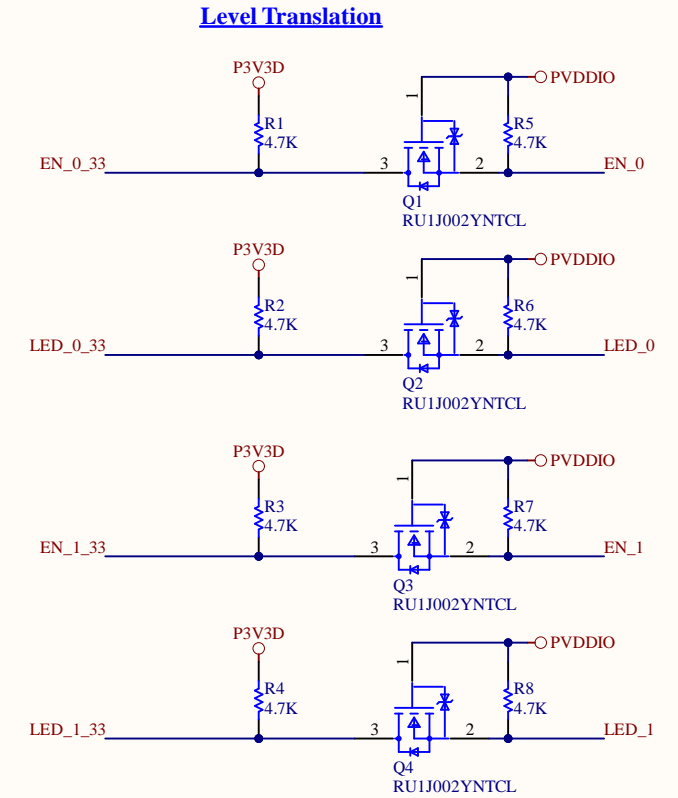


Layout Note: MIPI test points are exposed solder mask on vias  
 Layout Note: Place all TP's on Top side.



Title		
Size	Number	Revision
B		
Date:	2/13/2024	Sheet of
File:	E:\@@@Darial\...rpi_adapter_mipi	idrawing