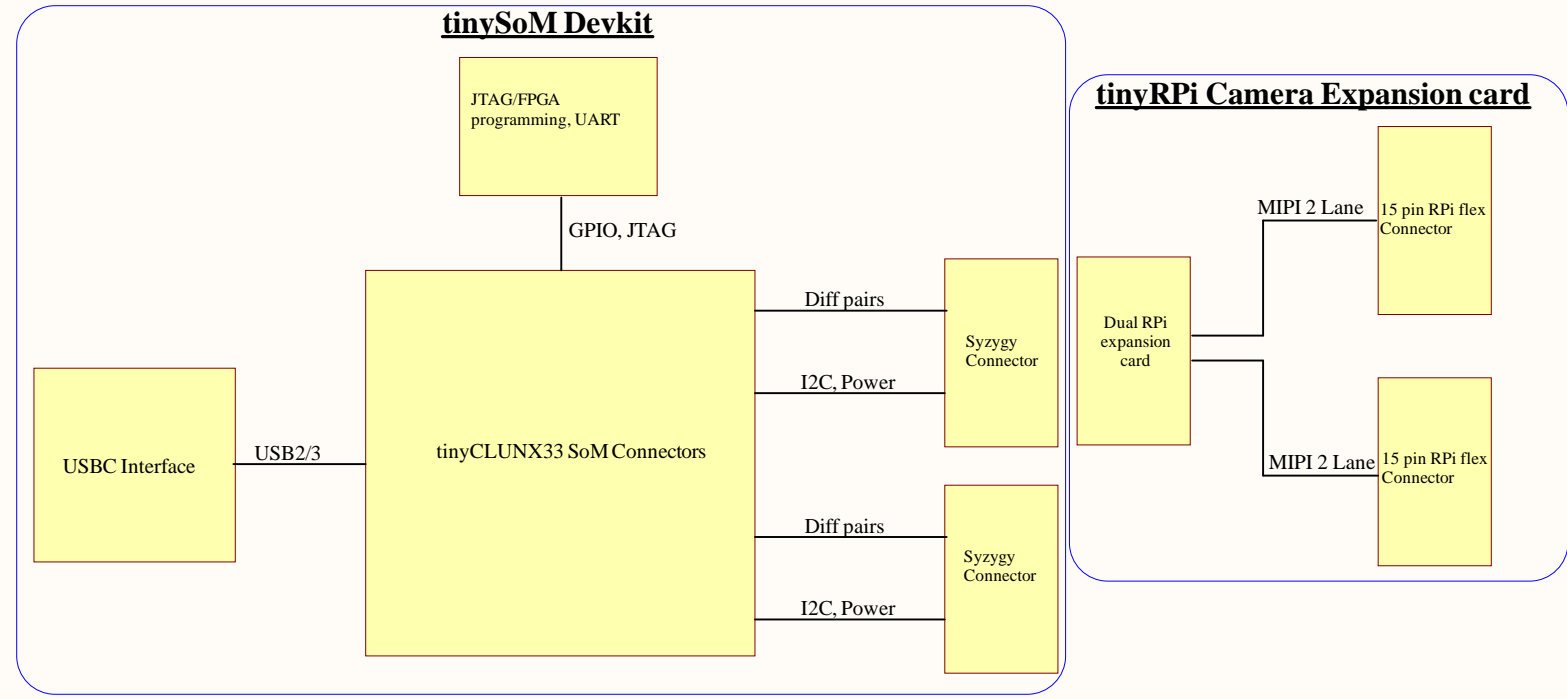


THIS DOCUMENT AND THE DATA DISCLOSED HEREIN OR HEREWITH IS THE PROPERTY OF ALTUM LIMITED AND MAY BE FREELY DISTRIBUTED IN WHOLE. NO RIGHTS ARE RESERVED OR EXPRESS OR IMPLIED WARANTEE GIVEN.

REVISION	DESCRIPTION	DATE	APPROVED

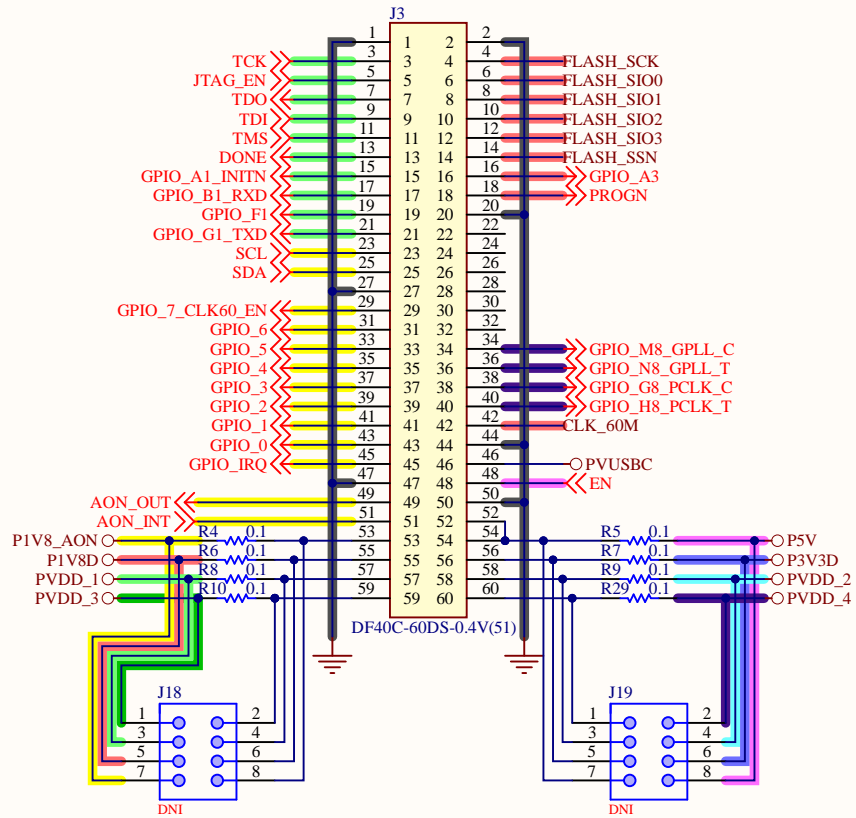
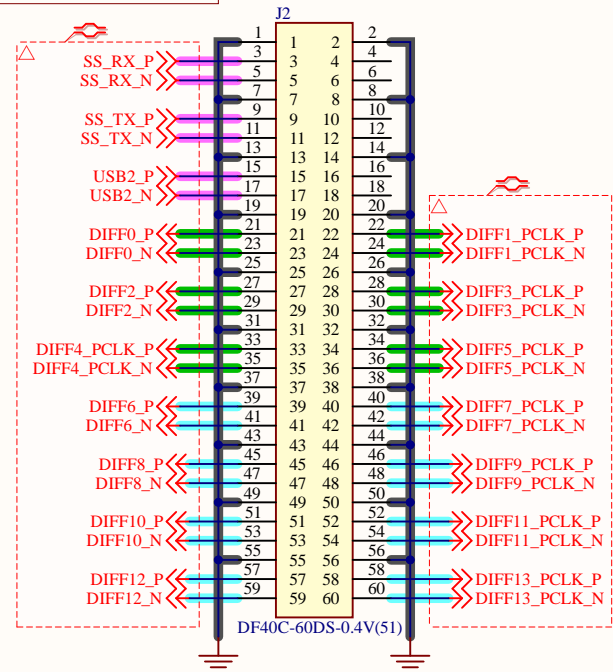


APPROVALS	DATE	PROJECT	Altium	
ENG: .				
DSN: .		PROJECT REVISION: Not in version control	DOCUMENT REVISION: Not in version control	DESIGN ITEM: Not in version control
CHK: .		TITLE		
REFERENCE DOCUMENTS		*		
BOM:		SIZE	CAGE CODE	DWG NO.
ASSY DWG:		B		
FAB DWG:		SCALE:	FILE NAME	REV
PCB DWG:			Overview.SchDoc	SHEET 1 OF 4

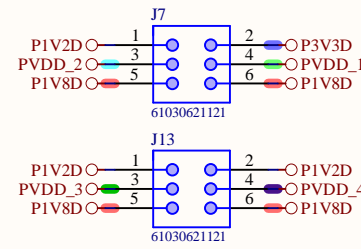
Color Legend:

- 3.3V IO
- USB
- 1.8V
- Bank 1 Voltage (1.2-3.3V)
- Bank 2 Voltage (1.2-1.8V)
- Bank 3 Voltage (1.2-1.8V)
- Ground

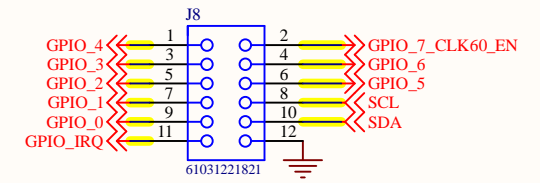
SoM Connectors



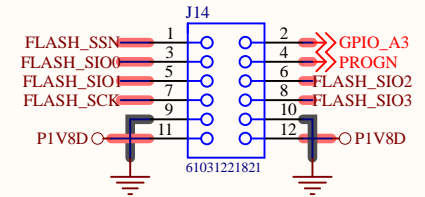
Bank Voltage Selection



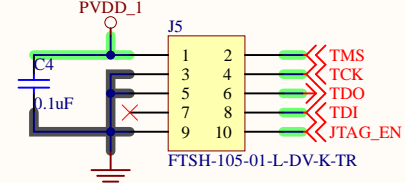
GPIO/I2C



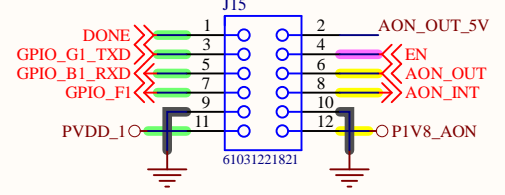
Flash IO



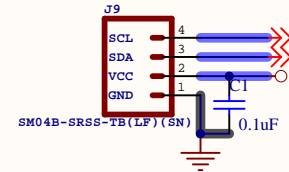
JTAG



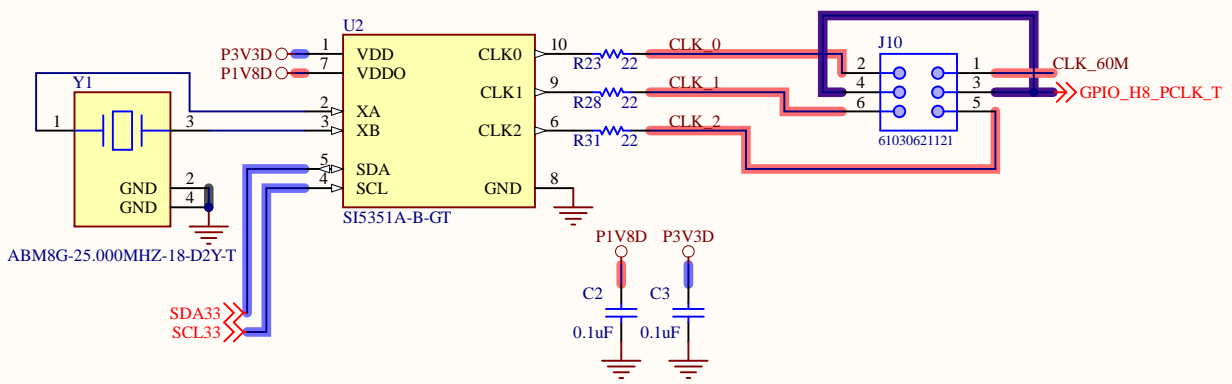
AON/GPIO



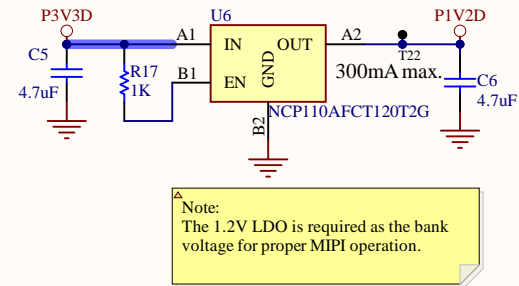
OWIIC Connector



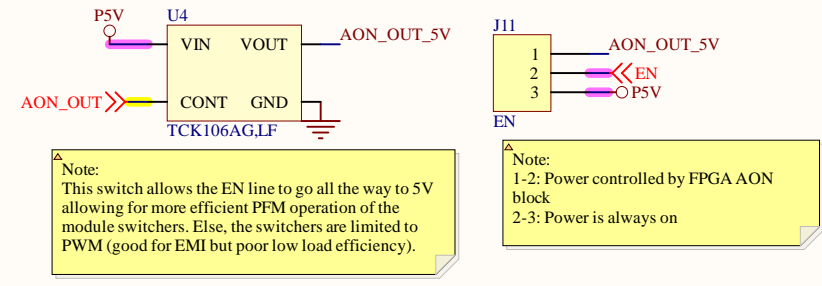
Programmable Clock



1.2V LDO



AON Circuit



Title		
tinyNX33U Module BaseBoard		
Size	Number	Revision
B		
Date:	2/12/2024	Sheet of
File:	E:\@\@\@\@Darial\...\Base_Module.Sch	Drawn By:

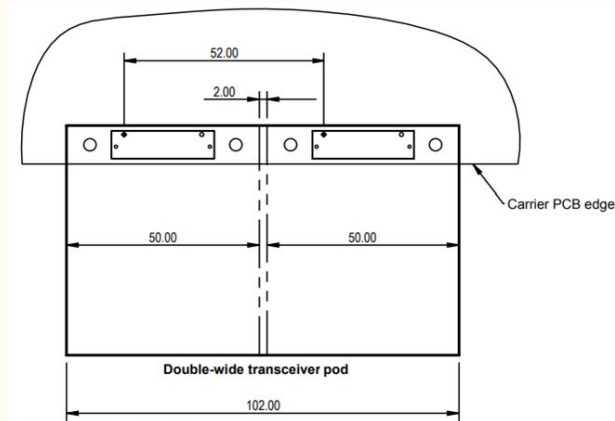
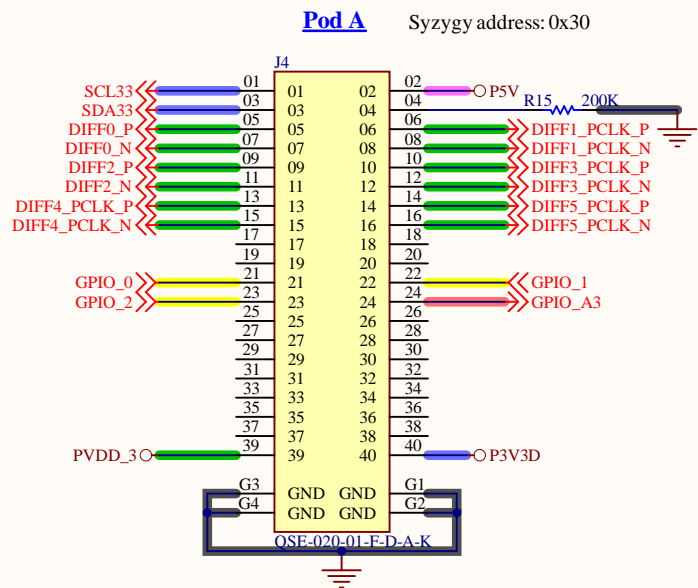
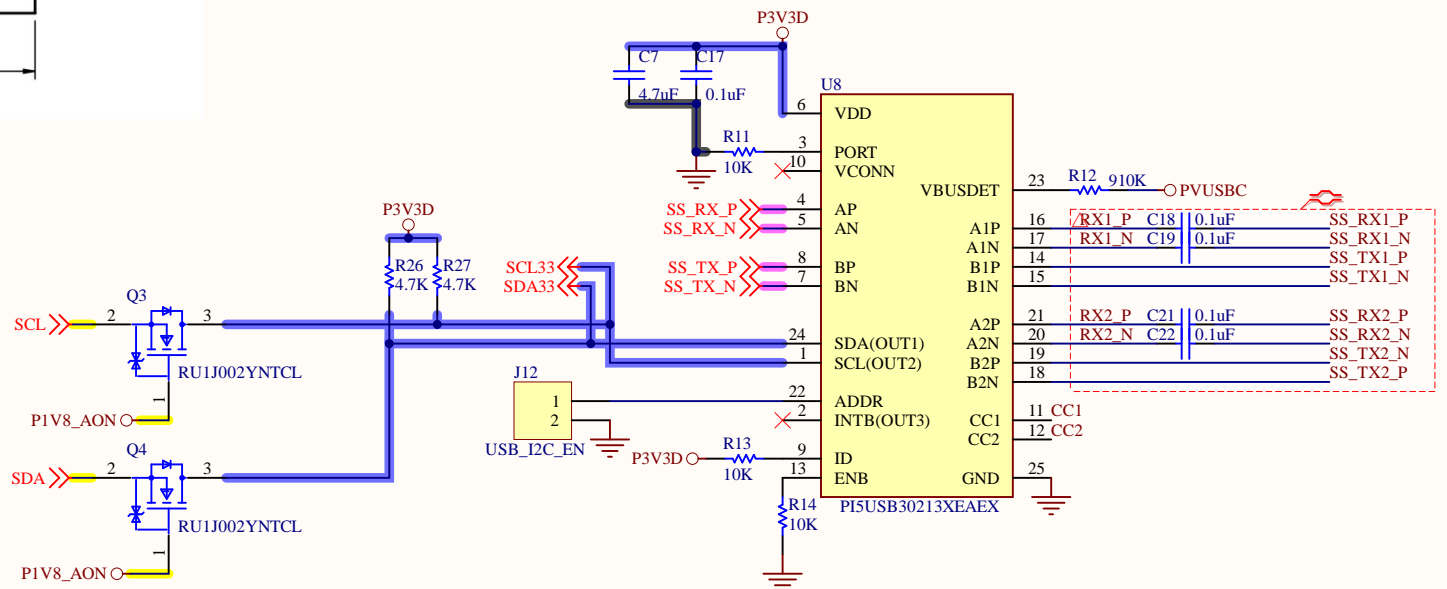
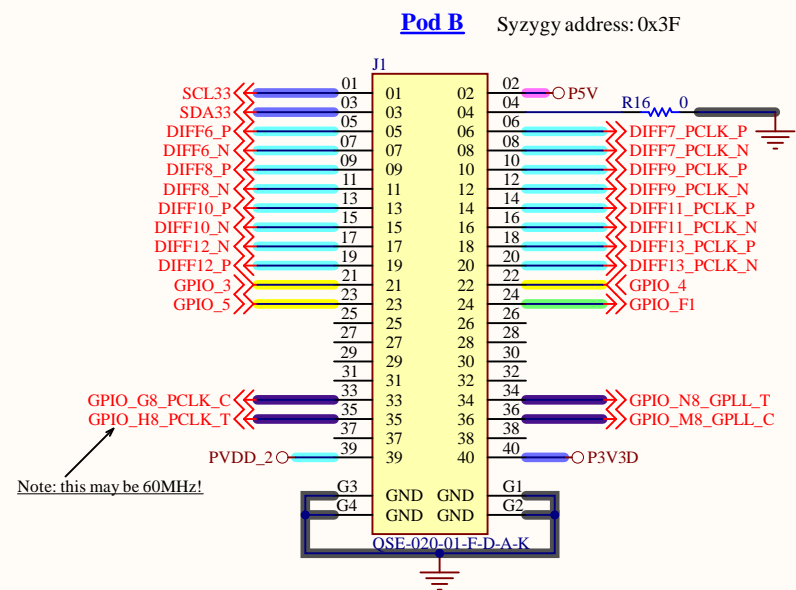
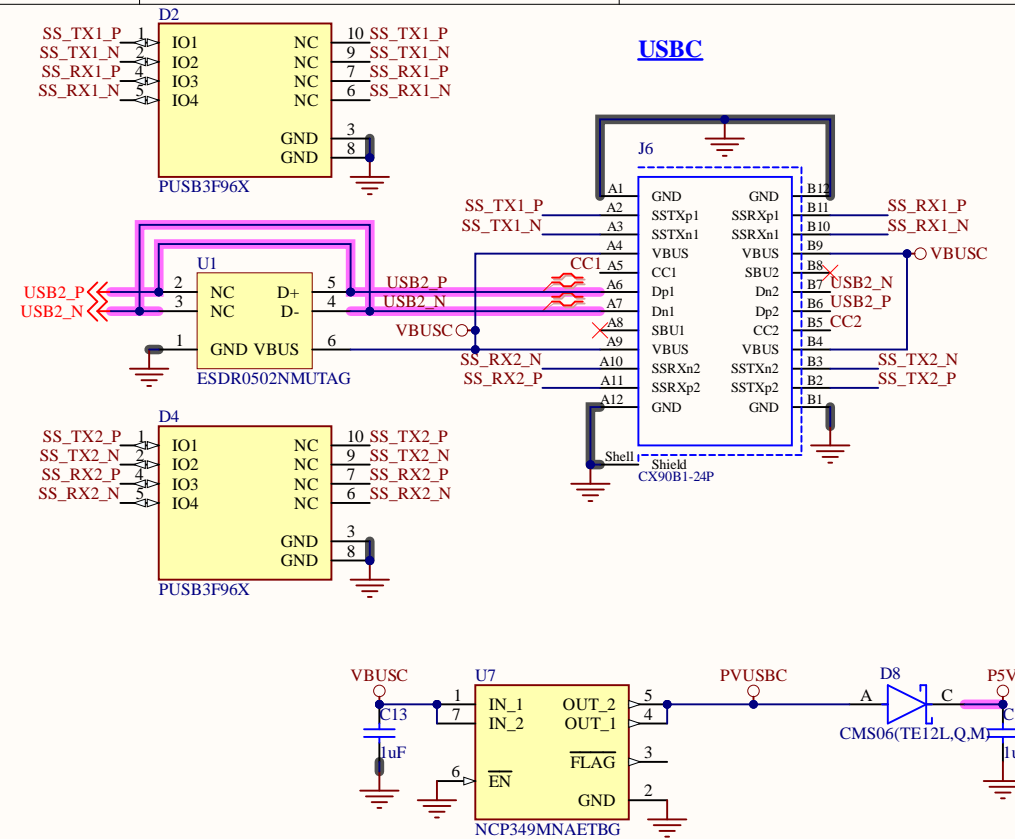
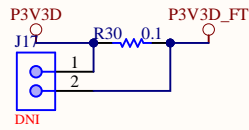


Figure 8. Double-Wide Transceiver Pod Dimensions



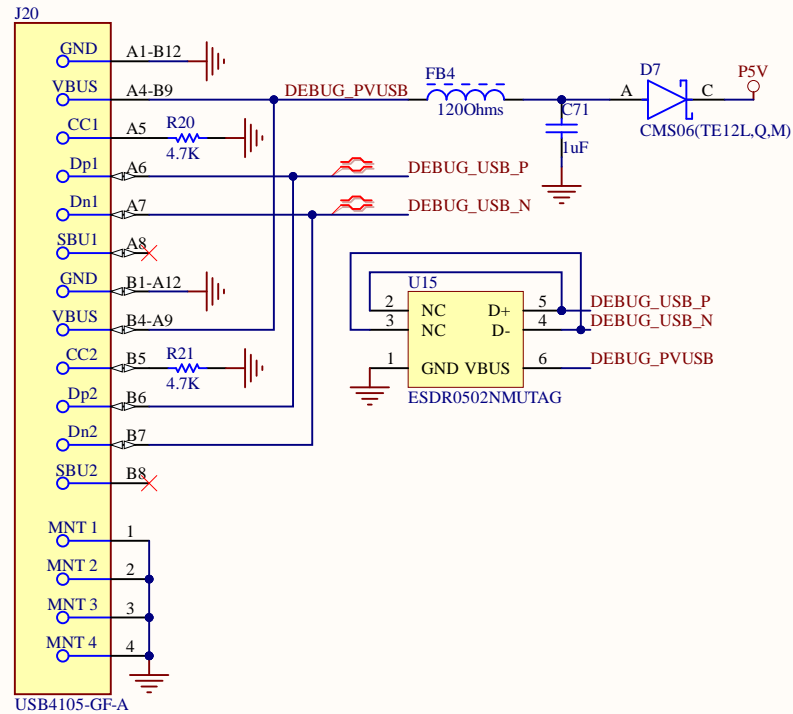
Title		
tinyNX33U Module BaseBoard		
Size	Number	Revision
B		
Date:	2/12/2024	Sheet of
File:	E:\@@@Darial\Base_USB_Camera\Board	1 of 1

FTDI Power Measurement/Disconnect

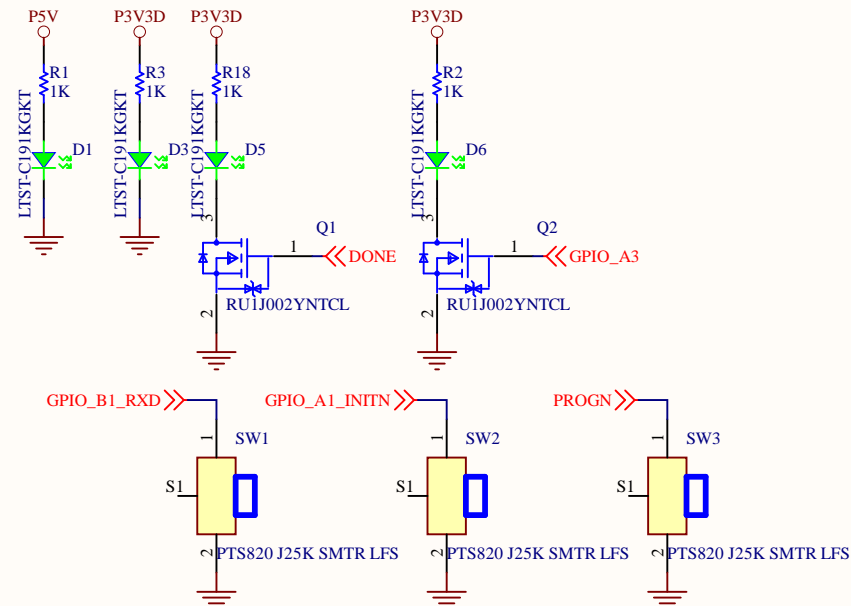


Note:
Can measure power into the FTDI or even disconnect the FTDI entirely by removing the current sense resistor.

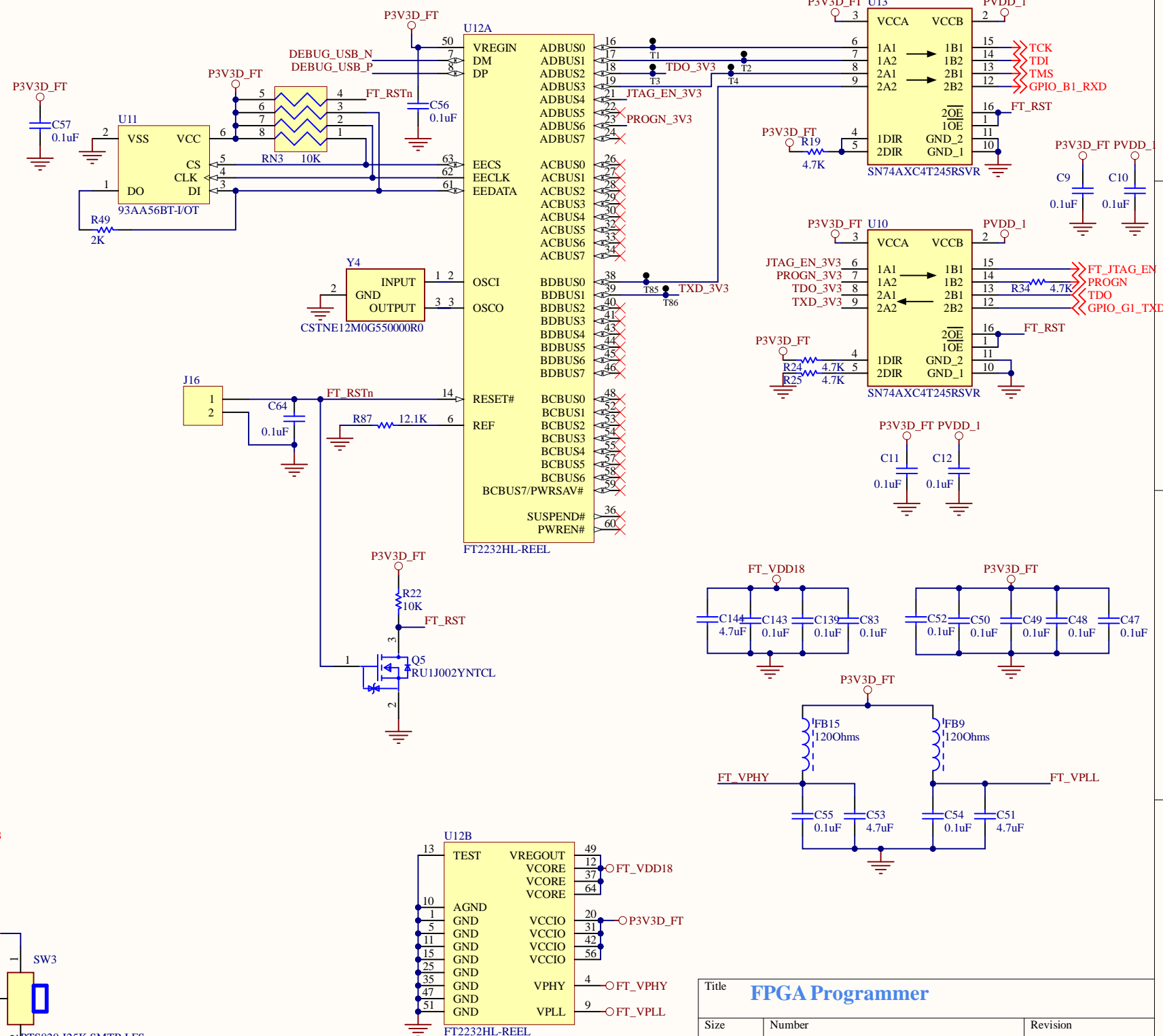
Debug/Programming USB



LED's/Switch



FPGA Programmer



Title		
FPGA Programmer		
Size	Number	Revision
B		
Date:	2/12/2024	Sheet of
File:	E:\@@@Darial\FPGA_programmer	1 of 1