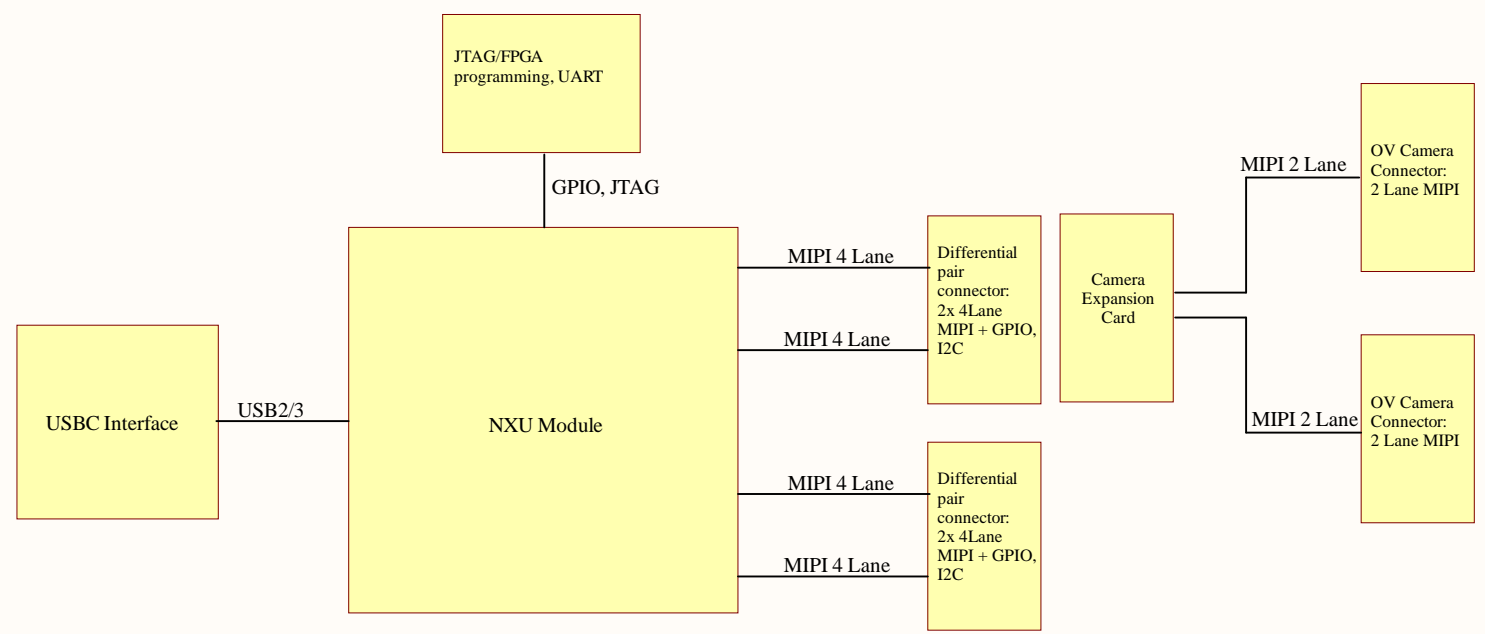


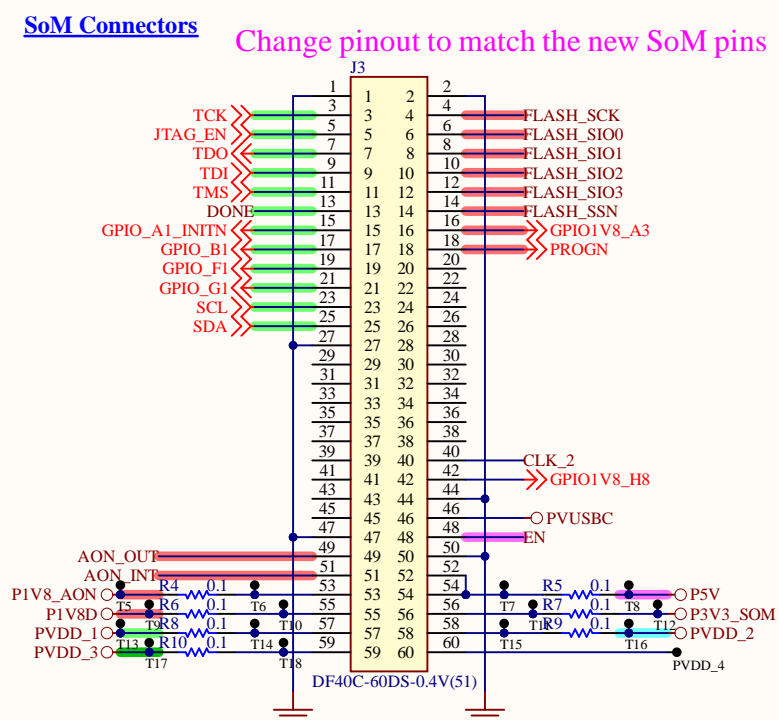
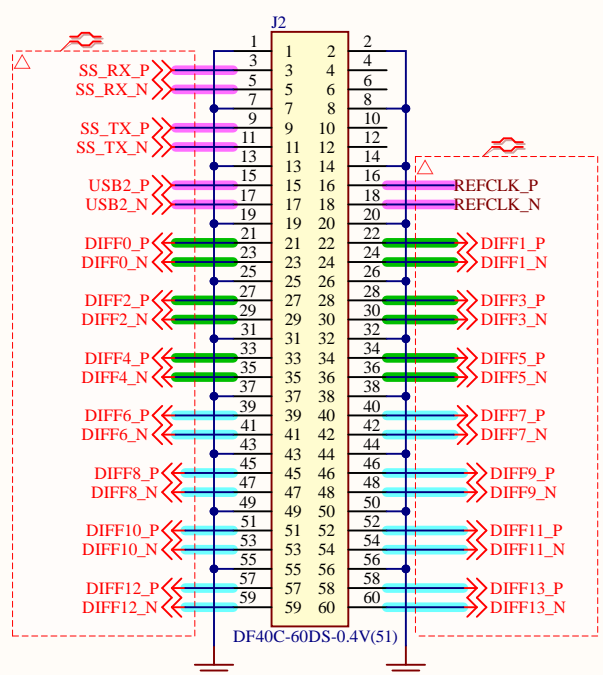
THIS DOCUMENT AND THE DATA DISCLOSED HEREIN OR HEREWITH IS THE PROPERTY OF ALTUM LIMITED AND MAY BE FREELY DISTRIBUTED IN WHOLE. NO RIGHTS ARE RESERVED OR EXPRESS OR IMPLIED WARANTEE GIVEN.

REVISION	DESCRIPTION	DATE	APPROVED

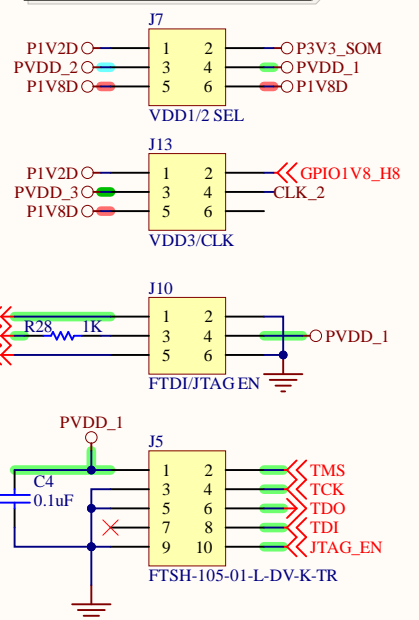


APPROVALS	DATE	PROJECT	Altium	
ENG: .		PROJECT REVISION:	DOCUMENT REVISION:	DESIGN ITEM:
DSN: .		Not in version control Not in version control		
CHK: .		TITLE		
REFERENCE DOCUMENTS		*		
BOM:		SIZE	CAGE CODE	DWG NO.
ASSY DWG:		B		
FAB DWG:		SCALE:	FILE NAME	SHEET 1 OF 4
PCB DWG:			Overview.SchDoc	

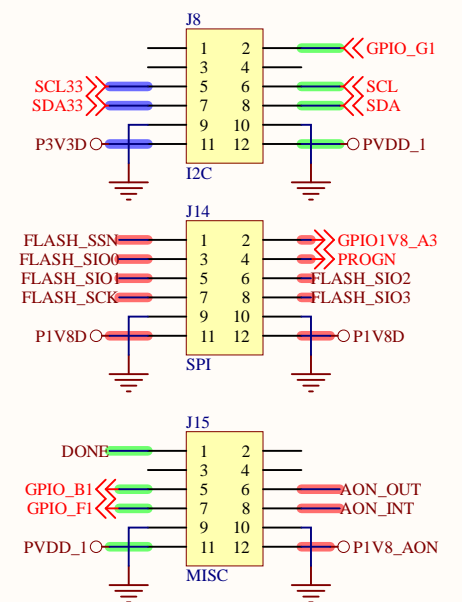
Color Legend:
 3.3V IO
 USB
 1.8V
 Bank 1 Voltage (1.2-3.3V)
 Bank 2 Voltage (1.2-1.8V)
 Bank 3 Voltage (1.2-1.8V)
 Ground



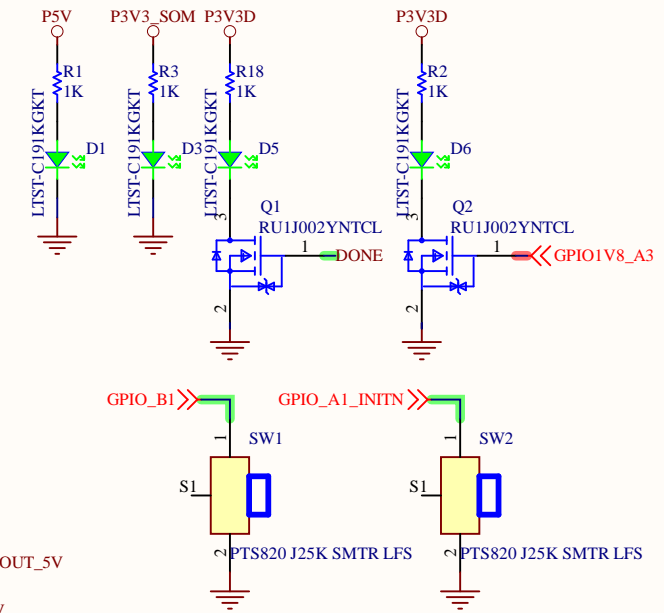
Note:
 A Bank voltage of 1.2V is required for proper MIPI operation.



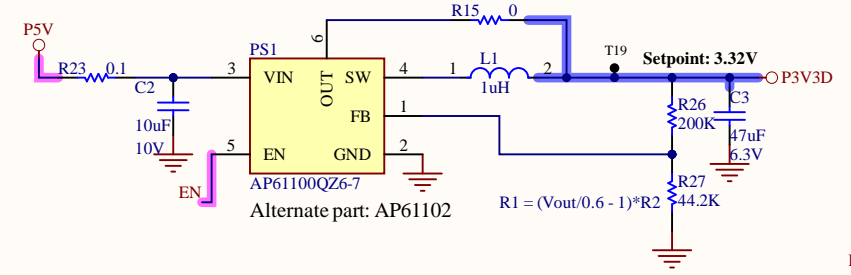
Debug Ports



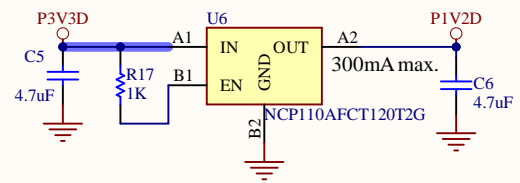
LED's/Switch



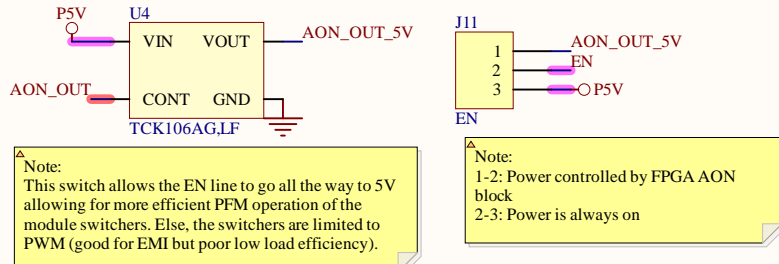
3.3V Switcher



1.2V LDO



AON Circuit



Title		
tinyNX33U Module BaseBoard		
Size	Number	Revision
B		
Date:	10/03/2023	Sheet of
File:	E:\@\@\@\@Darial\...\Base_Module.Sch	Drawn By:

